

Tactical AT-3T-B

940nm Infrared



COMPLETELY COVERT 940nm INFRARED

Infrared in the 940nm wavelength is fully covert. It is Ideal for traffic, law enforcement or tactical applications.

PLUG-AND-PLAY

Simply use a standard 12V DC power adapter and plug-in.
(adapter available in Power Supplies section)

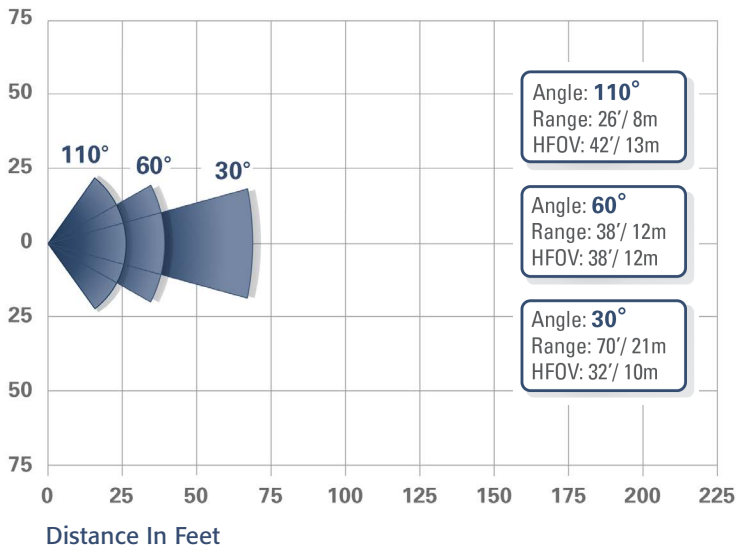
ULTRA COMPACT DESIGN

Measures only 1.5" (38mm) x 1.5" (38mm) x 1.5" (38mm)

LIFETIME WARRANTY - MADE IN THE USA

All products are covered by a lifetime warranty with advanced replacement. All Axton lights are designed and manufactured in the USA.

ILLUMINATION DISTANCE



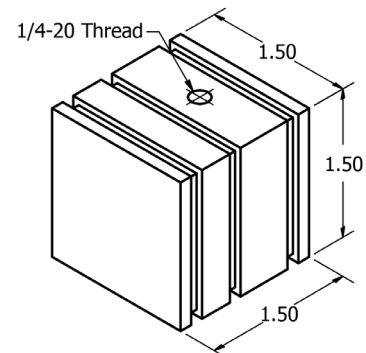
SPECIFICATIONS

Wavelength	940nm (fully-covert) Infrared
Input Voltage	12 V DC
Power Consumption	3 Watts
Operating Temperature	-2°F...+157°F / -20°C...+52°C
Dimensions	1.5" x 1.5" x 1.5" / 38 x 38 x 38 mm
Weight	2oz./0.06kg.
Environmental	IP 55 - Indoor use only
Mounting	Bracket Included

TIPS:

HFOV - Horizontal Field Of View - Coverage area in feet/meters or an angle. For optimal system performance HFOV should be matched to cameras field of view. The greater the coverage angle the less illumination distance.

Use IR-Corrected Lens - Non IR-Corrected lenses may produce blurry images due to focus shift caused by IR light, this requires refocusing.



801 West Robinson Drive, Suite 500, North Salt Lake, UT 84054
☎ 801/519-0500 📠 801/519-0501 ✉ sales@axtontech.com 🌐 www.axtontech.com

