

# Tactical AT-3T-LE

940nm Indoor Infrared



## INDOOR RECESSED MOUNTING INFRARED

Mounts recessed in ceiling or wall only the 3" disk is visible after installation. Ideal for drop-ceilings or drywall installations. Available with an ivory or black powder coated finish.

## PLUG AND PLAY - LOW VOLTAGE or PoE POWER

Use 12V DC power adapter or connect to PoE power.

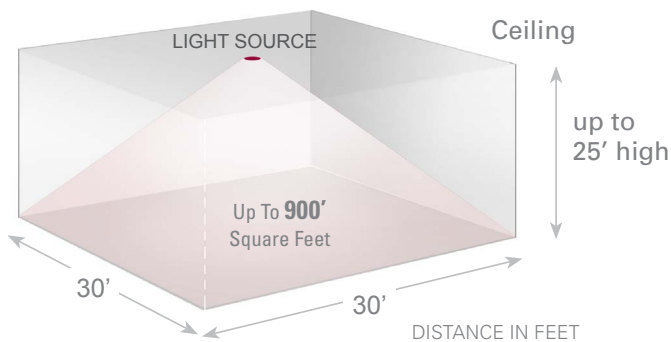
## LOW VISIBILITY

The low visibility and rugged design prevents detection and possible tampering or damage.

## LIFETIME WARRANTY – MADE IN THE USA

All products are covered by a lifetime warranty with advanced replacement. All Axton lights are designed and manufactured in the USA

## ILLUMINATION COVERAGE



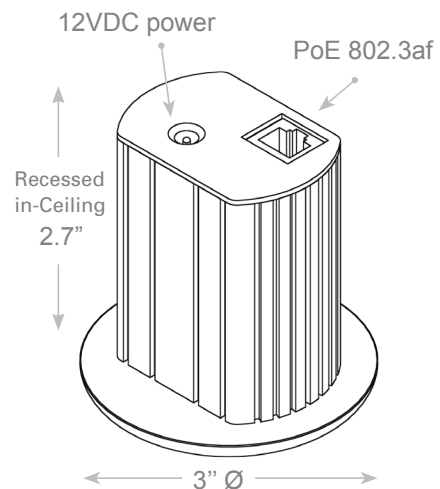
## SPECIFICATIONS

Wavelength	940nm (fully-covert) Infrared
Input Power*	12VDC or PoE (802.3af)
Power Consumption	3 Watts
Operating Temperature	-2°F...+157°F / -20°C...+52°C
Dimensions	3" Ø face x 2.7" long/ 76 x 69 mm
Weight	6oz./ 170g.
Environmental	IP 55 - Indoor use only

### TIPS:

**940nm Wavelength IR PROS and CONS** - Tactical 940nm IR lights are designed to provide fully invisible IR illumination, for law enforcement, military, traffic and railroad applications where red light can be interpreted as a signal. However, consider the following when choosing IR wavelength; not all cameras are sensitive to 940nm IR and you can expect 30-40% less illumination range than 850nm IR.

**Use IR-Corrected Lens** - Non IR-Corrected lenses may produce blurry images due to focus shift caused by IR light, this requires refocusing.



801 West Robinson Drive, Suite 500, North Salt Lake, UT 84054  
☎ 801/519-0500 📠 801/519-0501 ✉ sales@axtontech.com 🌐 www.axtontech.com

