

BLAZE 360

360° White LED Floodlight



Long Range, Full 360° White Floodlight

Blaze 360° is designed to be mounted on a pole or column for full 360° White Light. The fully adjustable Pan/Tilt Mounting System adds additional illumination control and flexibility. The mounting frame includes an integrated junction box or a power supply to simplify installation.

Easy Integration & Control

Seamless and precise integration via input/output (I/O) ports. Sync with camera or any other system device with I/O capability to turn light ON/OFF. Or, for constant nighttime ON, the automatic DAY/NIGHT sensor turns the light ON/OFF based upon lighting conditions.

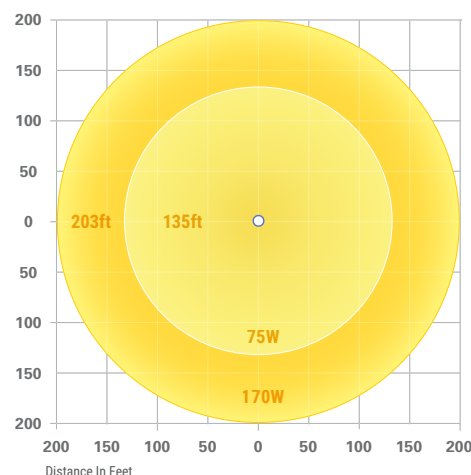
FEATURES

- Advanced Technology Energy Efficient LEDs
- Up to 28,500 Lumens (170 Watt)
- Outdoor IP67 Rated
- I/O Port Sync with Sensors, Devices
- Automatic Day/Night Sensor
- Lifetime Warranty, Made in the USA

RANGE

360° HFOV

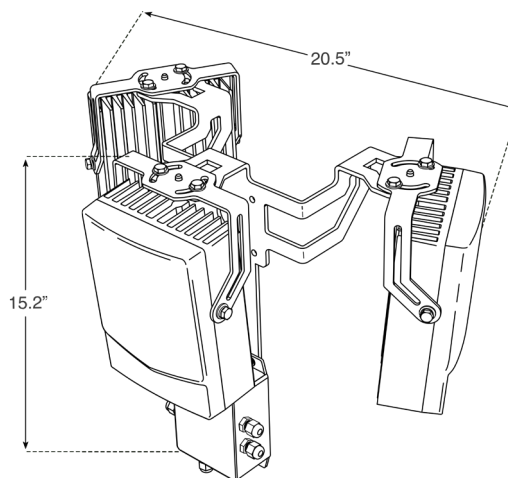
- 170 Watt
Range: 203ft /62m
- 75 Watt
Range: 135ft /41m



SPECIFICATIONS

White Light	up to: 28,500 Lm (170W) / Temp: 6000K
Input Voltage	24 to 36VDC
Options	Universal AC
Power Consumption	Options: 75W or 170 Watts
Operating Temp.	-58° to 140°F / -50° to 60°C
Dimensions	23.78" x 7.3" x 15.2" varies
Weight	15 - 28 lbs / varies by model
Environmental	Outdoor IP67 Rated
Mounting	Pan/Tilt Mounting System*

* Square or Round Pole Mount Required (depending upon mounting location)



PROFESSIONAL SOLUTIONS



801 Robinson Drive, Suite #500, North Salt Lake, UT 84054
Tel: 801/519-0500 • Email: sales@axtontech.com • Website: axtontech.com

