

BLAZE 25W & 25WE

White LED Floodlights, PoE or Low Voltage



Easy Integration and Control

Blaze lights have a built-in light sensor and can be setup to turn ON/OFF depending on lighting conditions. Or, use the light's I/O ports to connect to a camera, sensor or other I/O port device to turn the light ON/OFF based upon pre-set conditions.

Range and Input Power Options

Match the lights beam angle to your sites lighting requirements by choosing a lens angle from the range chart below. Choose low voltage 25W or PoE+ powered 25WE.

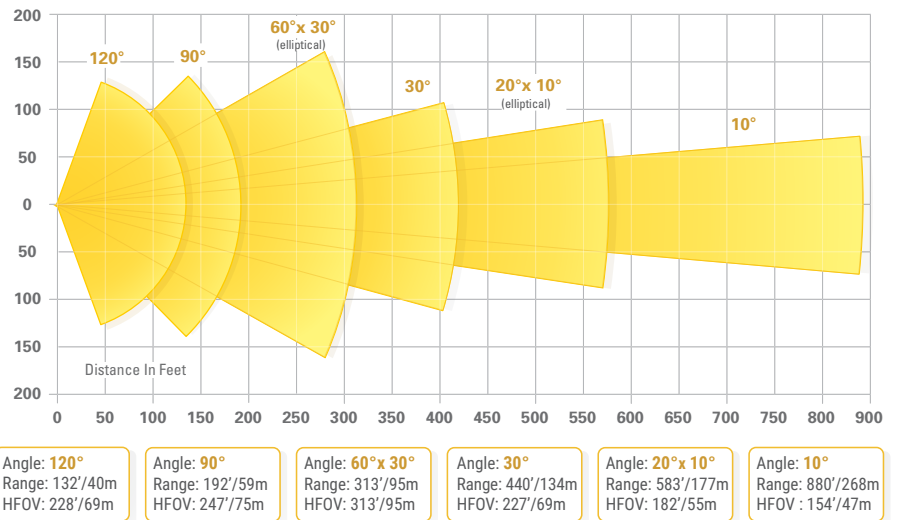
Lifetime Warranty - Made in the USA

AXTON Lights are covered by a lifetime warranty and are designed and manufactured in the USA.

FEATURES

- White Light - 4,200 lumens
- Energy Efficient - 25 Watts
- Advanced LED Technology
- I/O Port Sync with Sensors, Devices
- Automatic Day/Night Sensor
- Designed and Manufactured in the USA
- Lifetime Warranty

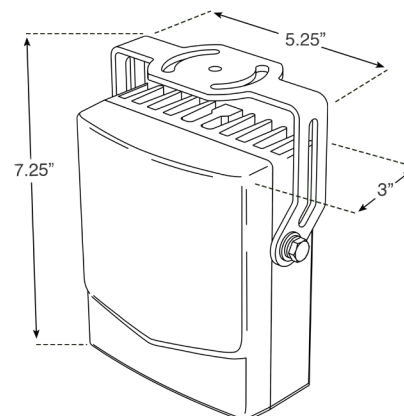
RANGE



SPECIFICATIONS

White Light	Lumens: 4,200/ Temp: 6000K
25W - Input Voltage	24-36VDC or 24VAC
25WE - Input Voltage*	PoE+ or PoE++
Angle/Range Options:	120°, 90°, 60°x30°, 30°, 20°x10° or 10°
Power Consumption	25 Watts
Operating Temp.	-58° to 140°F / -50° to 60°C
Dimensions	5.25" x 3" x 7.25" / 33 x 76 x 184mm
Weight	3 lbs / 1.3kg
Environmental	Outdoor IP67 Rated
Mounting	Pan/Tilt U Bracket Included

* 25WE PoE+ (24 VDC auxiliary optional)



801 Robinson Drive, Suite #500, North Salt Lake, UT 84054
Tel: 801/519-0500 • Email: sales@axtontech.com • Website: axtontech.com

