

Quick Setup Guide Helios 180, 270, 360

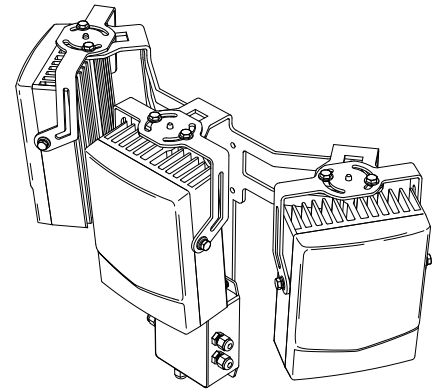
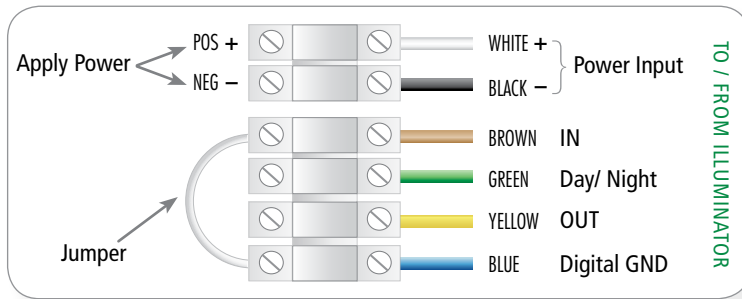
HELIOS 180, 270 & 360 - White or IR Lights



WIRING OPTIONS

OPTION 1 Constant ON

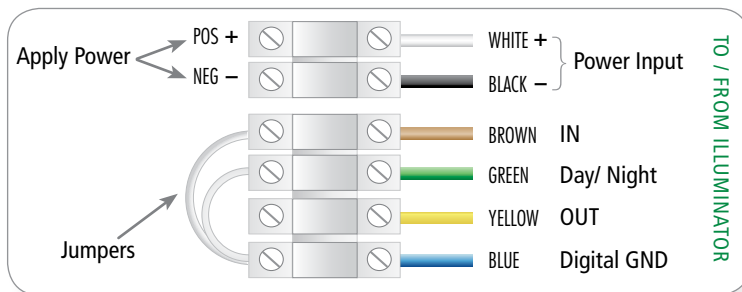
AXTON Illuminators have been designed and tested to run 24/7 continuously both indoors and outdoors.



! Make all electrical connections **BEFORE** applying power.

OPTION 2 Automatic

Illuminator will trigger ON/OFF using the built in ambient light sensor which has been pre-set to a threshold of 5-15 lux. ON will trigger immediately while OFF will trigger after a 12-18 second delay.



Voltage Input

9 to 28 VDC

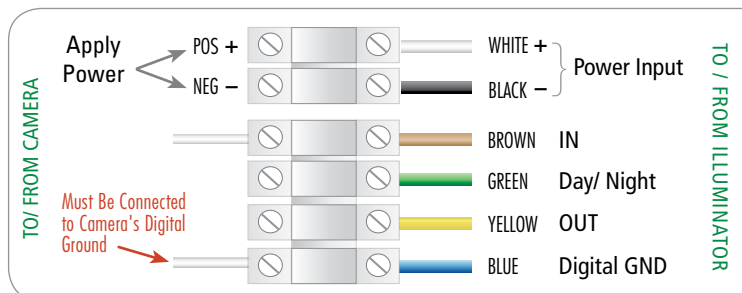
Polarity Sensitive

Applying voltage other than the required range may cause permanent damage and VOID WARRANTY.

WARNING! Infrared light is not visible. Do not view directly with optical instruments (magnifiers) or stare directly into the illuminator at close distance.

OPTION 3 External Controller (e.g. Camera)

You will need to log into the camera via the computer and program the I/O ports to trigger when IR illumination is desired.



To switch illuminator ON, your camera output port(s) have to be ACTIVE and set to LOW (GND-ground).

You may associate this action with various events (IR cut filter, motion detection, etc.) available on your camera or external device.

? QUESTIONS ? (801) 519-0500 or support@axtontech.com | axtontech.com



801 Robinson Drive, Suite 500, North Salt Lake, UT 84054
801/519-0500 sales@axtontech.com

