

HELIOS 360 IR

Solar, Battery Powered IR Illuminator



HELIOS Off-Grid 360° IR Illuminator

HELIOS lights are designed for Solar/Battery and other Off-Grid systems with an input voltage of 9 to 28 VDC. The HELIOS 360 provides, long range, full 360 degree light coverage. The Pan/Tilt mounting system adds additional illumination control and flexibility.

Easy Integration & Control

Seamless and precise control via Input/Output ports. Sync with camera, sensors or other system devices with I/O ports. For easy integration, a built-in photocell switches the IR ON/OFF based on lighting conditions.

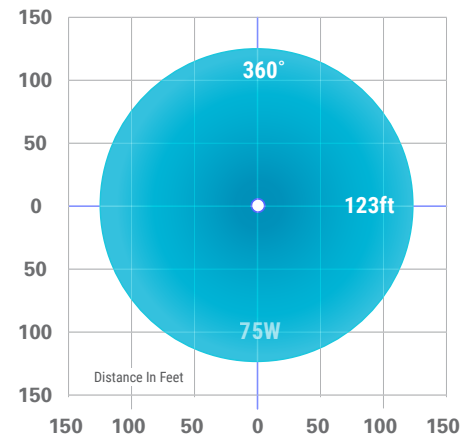
FEATURES

- Advanced Technology Energy Efficient LEDs
- Wavelength - 850nm Infrared
- Outdoor IP67 Rated
- I/O Port Sync with Sensors, Devices
- Automatic Day/Night Sensor
- Lifetime Warranty, Made in the USA

RANGE

360° HFOV

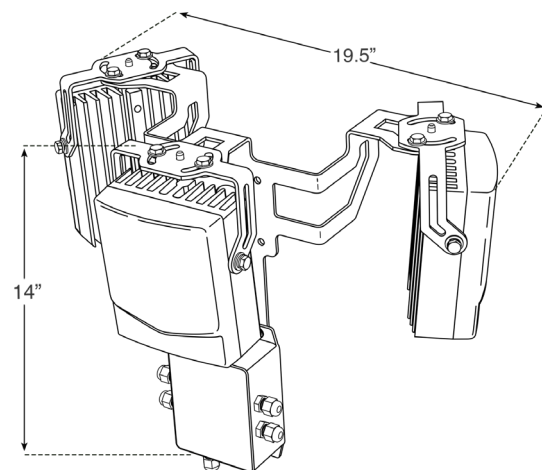
75 Watt
Range: 123ft /37m



SPECIFICATIONS

Wavelength	850nm Infrared
Input Voltage	9 to 28 VDC
Power Consumption	75 Watts
Operating Temp.	-58° to 140°F / -50° to 60°C
Dimensions	19.5" x 19.5" x 14"
Weight	23 lbs (Varies)
Environmental	Outdoor IP67 Rated
Mounting	Pan/Tilt Mounting System*

*Square or Round Pole Mount Required (depending upon mounting location)



PROFESSIONAL SOLUTIONS



801 Robinson Drive, Suite #500, North Salt Lake, UT 84054
Tel: 801/519-0500 • Email: sales@axtontech.com • Website: axtontech.com

