

# BLAZE 11W & 11WE

White LED Floodlight, PoE or Low Voltage



## Easy Integration and Control

Blaze lights have a built-in light sensor and can be setup to turn ON/OFF depending on lighting conditions. Or, use the light's I/O ports to connect to a camera, sensor or other I/O port device to turn the light ON/OFF based upon pre-set conditions.

## Range and Input Power Options

Match the lights beam angle to your sites lighting requirements by choosing a lens angle from the range chart below. Choose low voltage 11W or PoE powered 11WE.

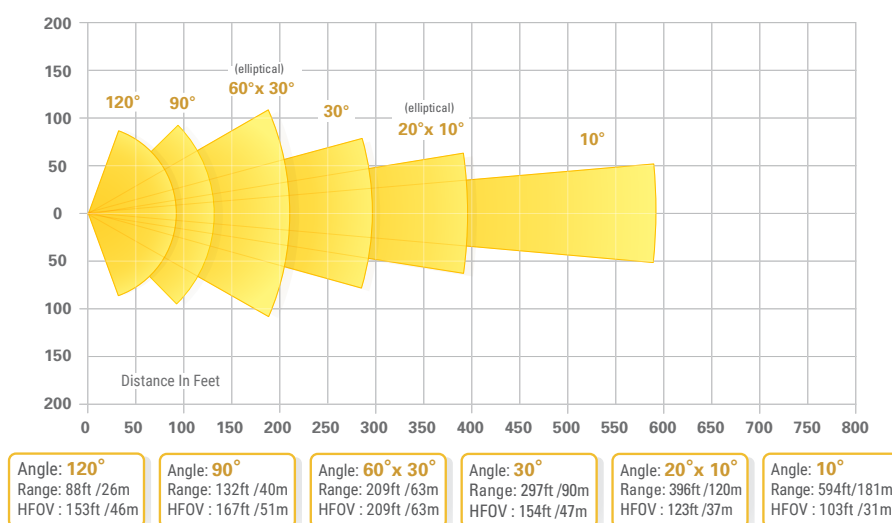
## Lifetime Warranty - Made in the USA

AXTON Lights are covered by a lifetime warranty and are designed and manufactured in the USA.

## FEATURES

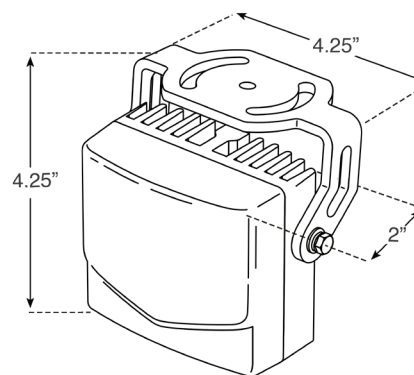
- White Light - 1,800 lumens
- Outdoor IP67 Rated
- Energy Efficient - 11 Watts
- Advanced LED Technology
- I/O Port Sync with Sensors, Devices
- Automatic Day/Night Sensor
- Designed and Manufactured in the USA
- Lifetime Warranty

## RANGE



## SPECIFICATIONS

White Light	Lumens: 1,800/ Temp: 5000K
11W - Input Voltage	24 to 36 VDC or 24 VAC
11WE - Input Voltage	PoE (or PoE+)
Angle/Range Options:	120°, 90°, 60°x30°, 30°, 20°x10° or 10°
Power Consumption	11 Watts
Operating Temp.	-58° to 140°F / -50° to 60°C
Dimensions	4.25" x 2" x 4.25" / 108 x 51 x 108mm
Weight	1.25 lbs/ .56kg
Environmental	Outdoor IP67 Rated
Mounting	Pan/Tilt U Bracket Included



801 Robinson Drive, Suite #500, North Salt Lake, UT 84054  
 Tel: 801/519-0500 • Email: sales@axtontech.com • Website: axtontech.com

