

HELIOS 11YW

Solar, Battery Powered White LED Floodlight



Helios Solar/Battery Powered Lights

Helios lights are designed for use with battery/solar powered systems. They are ideally suited for off-grid solar or mobile applications where 12-24V batteries are used. Helios lights are outdoor IP67 rated and are rugged and vandal resistant.

Easy Integration and Control

Helios lights have a built-in light sensor and can be set to turn ON/OFF depending on lighting conditions. Or, use the light's I/O ports to connect to a camera, sensors or other I/O port device to turn the light ON/OFF based upon pre-set conditions.

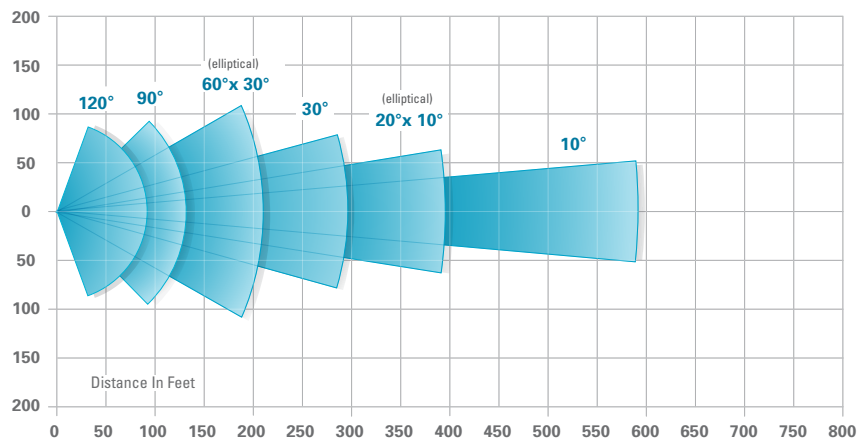
Lifetime Warranty - Made in the USA

AXTON Lights are covered by a lifetime warranty with advanced replacement.

FEATURES

- White Light - 1,800 lumens
- Outdoor IP67 Rated
- Energy Efficient - 11 Watts
- Advanced LED Technology
- I/O Port Sync with Sensors, Devices
- Automatic Day/Night Sensor
- Designed and Manufactured in the USA
- Lifetime Warranty

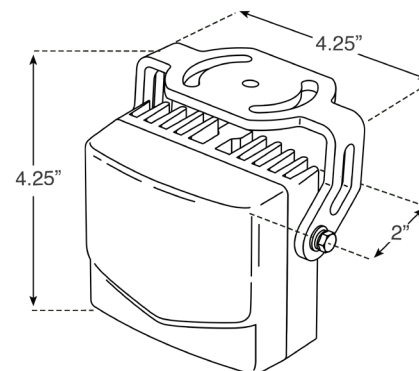
RANGE



Angle: 120° Range: 88'/26m HFoV : 153'/46m	Angle: 90° Range: 132'/40m HFoV : 167'/51m	Angle: 60°x 30° Range: 209'/63m HFoV : 209'/63m	Angle: 30° Range: 297'/90m HFoV : 154'/47m	Angle: 20° x 10° Range: 396'/120m HFoV : 123'/37m	Angle: 10° Range: 594'/181m HFoV : 103'/31m
--	--	---	--	---	---

SPECIFICATIONS

White Light	Lumens: 1,800/ Temp: 5000K
Input Voltage	9 to 28 VDC
Angle/Range Options:	120°, 90°, 60°x30°, 30°, 20°x10° or 10°
Power Consumption	11 Watts
Operating Temp.	-58° to 140°F / -50° to 60°C
Dimensions	4.25" x 2" x 4.25" / 108 x 51 x 108mm
Weight	1.25 lbs/ .56kg
Environmental	Outdoor IP67 Rated
Mounting	Pan/Tilt U Bracket Included



UNIVERSAL SOLUTIONS



801 Robinson Drive, Suite #500, North Salt Lake, UT 84054
Tel: 801/519-0500 • Email: sales@axtontech.com • Website: axtontech.com

