

NANO 5M

Compact IR Illuminator



Nano Infrared Illuminators

Nano Series IR Illuminators are compact and are ideal for smaller areas. The Nano 5M is outdoor IP67 rated for use indoors or out. Choose from six range/angle options to match the light to the camera's field of view.

Easy Integration and Control

Seamless and precise control via Input/Output ports. Sync with camera, sensors or other system devices with I/O ports. For easy integration, a built-in photocell switches the IR ON/OFF based on lighting conditions.

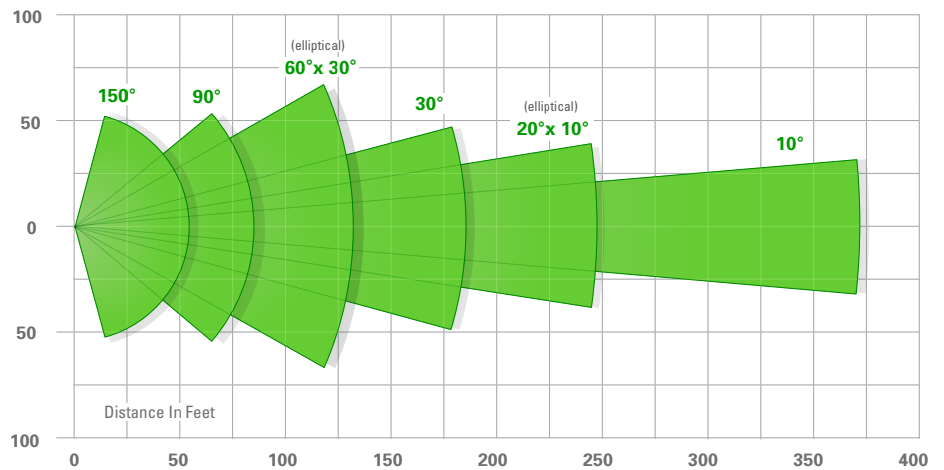
Lifetime Warranty - Made in the USA

AXTON Lights are covered by a lifetime warranty with advanced replacement.

FEATURES

- Wavelength - 850nm Infrared
- Outdoor IP67 Rated
- Energy Efficient - 5 Watts
- Advanced LED Technology
- I/O Port Sync with Sensors, Devices
- Automatic Day/Night Sensor
- Lifetime Warranty, Made in the USA

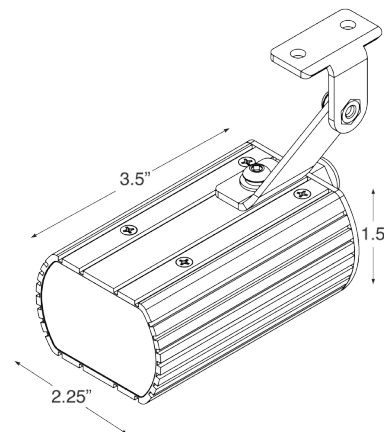
RANGE



Angle: 150° Range: 58ft /17m HFOV : 105ft /32m	Angle: 90° Range: 82ft /25m HFOV : 105ft /32m	Angle: 60°x 30° Range: 130ft /39m HFOV : 130ft /39m	Angle: 30° Range: 185ft /56m HFOV : 96ft /29m	Angle: 20°x 10° Range: 250ft /76m HFOV : 78ft /23m	Angle: 10° Range: 370ft /112m HFOV : 65ft /19m
---	--	--	--	---	---

SPECIFICATIONS

Wavelength	850nm Infrared
Input Voltage	9 to 18 VDC
Angle/Range Options:	150°, 90°, 60°x30°,30°,20°x10° or 10°
Power Consumption	5 Watts
Operating Temp.	-58° to 140°F / -50° to 60°C
Dimensions	3.5" x 2.25" x 1.5"/ 89 x 57 x 38mm
Weight	6 oz/ 170g
Environmental	Outdoor IP67 Rated
Mounting	Bracket Included



801 Robinson Drive, Suite #500, North Salt Lake, UT 84054
Tel: 801/519-0500 • Email: sales@axtontech.com • Website: axtontech.com

