

HYBRID 180°

IR Illuminator & White Floodlight



HYBRID 180° IR Illuminator & White Floodlight

The HYBRID 180° combines long range 180° IR Illumination with an event triggered 180° White Floodlight into one easy to deploy compact solution.

Event Triggered White Floodlight

Hybrid series lights connect to a camera, motion detector, alarm or any other device via I/O ports, triggering the illuminator to switch from infrared to white light upon an event occurrence.

Lifetime Warranty - Made In The USA

Covered by a lifetime warranty with advanced replacement. All AXTON lights are designed and manufactured in the USA.

FEATURES

- 850nm Infrared & White Floodlight
- Advanced Technology Energy Efficient LEDs
- Range (170W): 180° HFOV out to 420ft
- White Light - 28,500 Lumens (170 Watt)
- Outdoor IP67 Rated
- I/O Port Sync with Sensors, Devices
- Lifetime Warranty, Made in the USA

SPECIFICATIONS

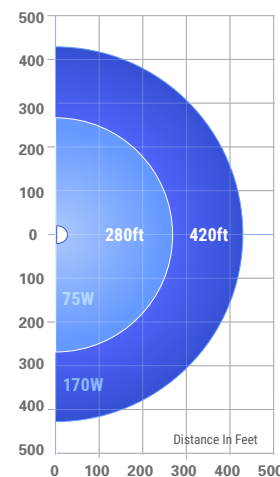
IR Wavelength	850nm Infrared
White Light	Temp. 5000K
	Lumens: 170W: 28,500Lm / 75W: 12,600Lm
Input Voltage Options	24 to 36VDC
	Universal AC
Power Consumption	Options: 75W or 170 Watts
Operating Temp.	-58° to 140°F / -50° to 60°C
Dimensions	23.78" x 7.3" x 15.2" varies
Weight	15 - 28 lbs / varies by model
Environmental	Outdoor IP67 Rated
Mounting	Pan/Tilt Mounting System*

*Pole, Wall or Corner Mount Required (depending upon mounting location)

RANGE

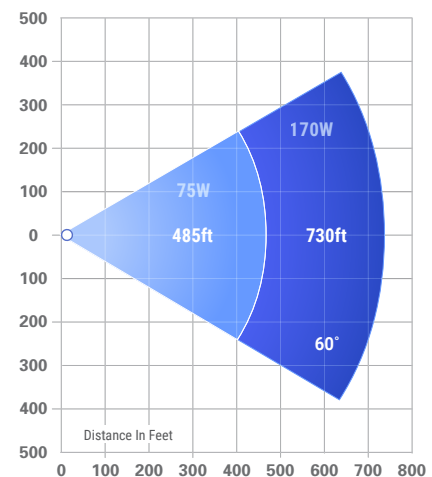
180° HFOV

Light panels rotated outward



60° HFOV - Range Option

Light panels rotated inward



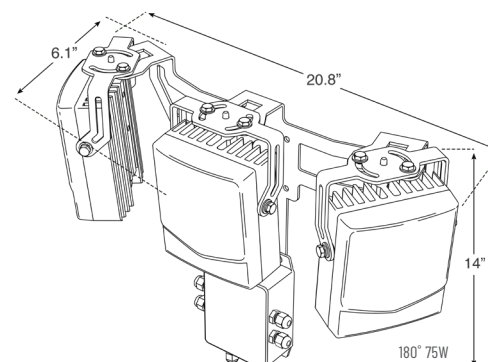
170 Watt
Range: 420ft / 128m

75 Watt
Range: 280ft / 85m

170 Watt
Range: 730ft / 222m

75 Watt
Range: 485ft / 148m

Light Panels can be rotated by increments to achieve coverage in-between these ranges.



801 Robinson Drive, Suite #500, North Salt Lake, UT 84054
Tel: 801/519-0500 • Email: sales@axtontech.com • Website: axtontech.com

