

BLAZE 25W & 25WE

White LED Floodlights, Low Voltage or PoE



Easy Integration and Control

Blaze lights have a built-in light sensor and can be setup to turn ON/OFF depending on lighting conditions. Or, use the light's I/O ports to connect to a camera, sensor or other I/O port device to turn the light ON/OFF based upon preset conditions.

Range and Input Power Options

Match the lights beam angle to your sites lighting requirements by choosing a lens angle from the range chart below. Choose low voltage 25W or PoE+ powered 25WE.

Lifetime Warranty - Made in the USA

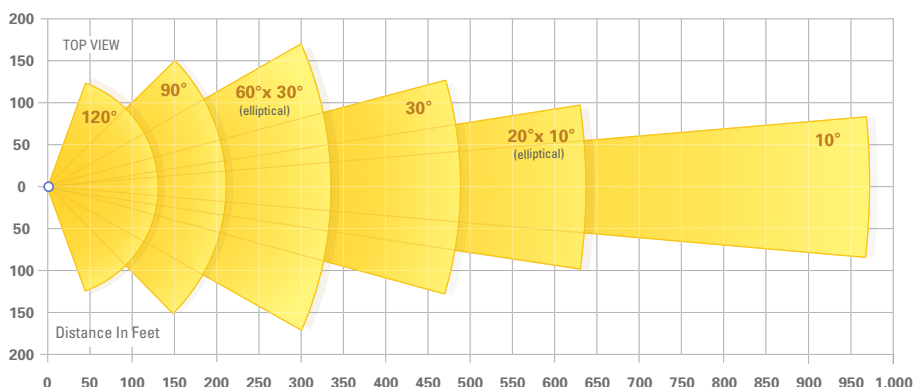
AXTON Lights are covered by a lifetime warranty and are designed and manufactured in the USA.

FEATURES

- White Light - 5,250 lumens
- Outdoor IP67 Rated
- Energy Efficient - 25 Watts
- Advanced LED Technology
- I/O Port Sync with Sensors, Devices
- Automatic Day/Night Sensor
- Designed and Manufactured in the USA
- Lifetime Warranty

RANGE

BEAM ANGLE OPTIONS

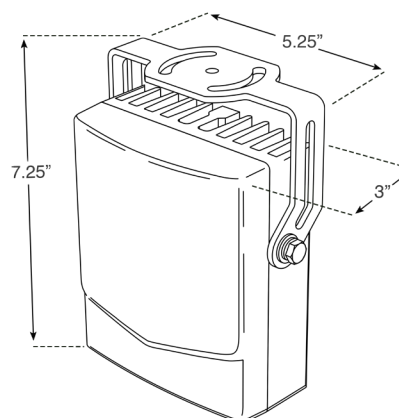


Angle: 120° Range: 145ft/44m HFOV: 251ft/76m	Angle: 90° Range: 211ft/64m HFOV: 272ft/83m	Angle: 60°x 30° Range: 344ft/105m HFOV: 344ft/105m	Angle: 30° Range: 484ft/147m HFOV: 250ft/76m	Angle: 20°x 10° Range: 641ft/195m HFOV: 200ft/61m	Angle: 10° Range: 968ft/295m HFOV: 169ft/52m
---	--	---	---	--	---

SPECIFICATIONS

White Light	Lumens: 5,250 Lm / Temp: 5000K
25W - Input Voltage	24-36VDC or 24VAC
25WE - Input Voltage*	PoE+ (or PoE++)
Angle/Range Options:	120°, 90° (60°x 30°) 30° (20°x 10°) or 10°
Power Consumption	25 Watts
Operating Temp.	-58° to 140°F / -50° to 60°C
Dimensions	5.25" x 3" x 7.25" / 33 x 76 x 184mm
Weight	3 lbs / 1.3kg
Environmental	Outdoor IP67 Rated
Mounting	Pan/Tilt U Bracket Included

* 25WE PoE+ (24 VDC auxiliary optional)



UNIVERSAL SOLUTIONS



801 Robinson Drive, Suite #500, North Salt Lake, UT 84054
Tel: 801/519-0500 • Email: sales@axtontech.com • Website: axtontech.com

