

HELIOS 56YW

Solar, Battery Powered White Floodlight



Helios Off-Grid Security LED Floodlights

Helios series lights are engineered for Off-Grid, Battery, Solar Powered Security Systems. Helios lights are Outdoor IP67 Rated, weatherproof and vandal resistant.

Easy Integration and Control

Helios lights have a built-in Day/Night light sensor to turn the light ON/OFF automatically. For more precise control, the I/O ports connect to a camera, motion sensor or other I/O port equipped device to turn the light ON/OFF based on preset conditions.

Lifetime Warranty - Made in the USA

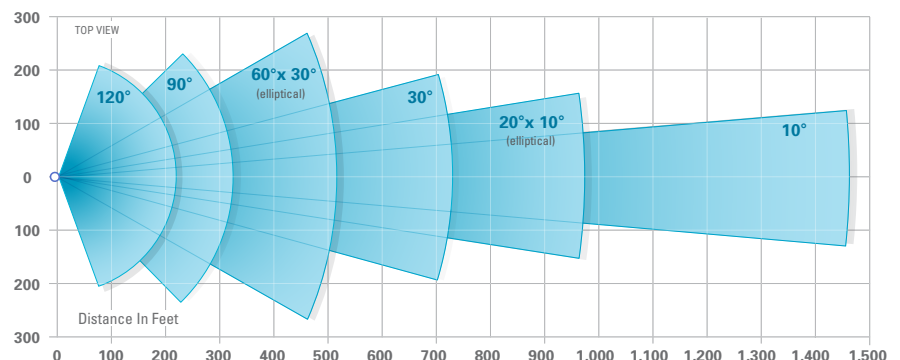
AXTON Lighting is handmade in the USA and backed by a lifetime warranty with advanced replacement.

FEATURES

- Advanced Technology Energy Efficient LEDs
- White Light - 11,875 lumens, 5000K
- Outdoor IP67 Rated - Weatherproof
- I/O Port Sync with Sensors, Devices
- Automatic Day/Night Sensor
- Rugged and Vandal Resistant
- Designed for Off-Grid Security
- Lifetime Warranty, Made in the USA

RANGE

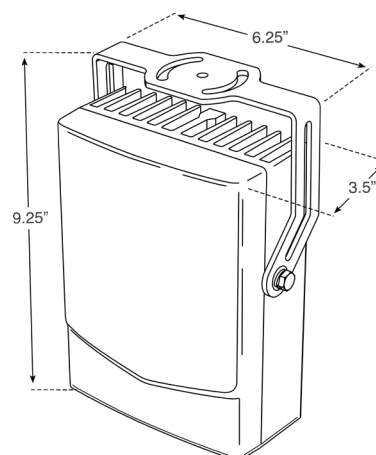
Beam Angle Options



Angle: 120° Range: 223ft/68m HFOV: 387ft/118m	Angle: 90° Range: 327ft/99m HFOV: 420ft/128m	Angle: 60°x30° Range: 508ft/156m HFOV: 508ft/156m	Angle: 30° Range: 726ft/221m HFOV: 375ft/114m	Angle: 20°x10° Range: 968ft/295m HFOV: 302ft/92m	Angle: 10° Range: 1,452ft/443m HFOV: 253ft/77m
--	---	--	--	---	---

SPECIFICATIONS

White Light	Lumens: 11,875 Lm/ Temp: 5000K
Input Voltage	9 to 28 VDC
Angle/Range Options:	120°, 90°(60°x30°) 30°(20°x10°) or 10°
Power Consumption	56 Watts
Operating Temp.	-58° to 140°F / -50° to 60°C
Dimensions	6.25" x 3.5" x 9.25"/ 159 x 89 x 235mm
Weight	5.5 lbs /2.5kg
Environmental	Outdoor IP67 Rated
Mounting	Pan/Tilt U Bracket Included



801 Robinson Drive, Suite #500, North Salt Lake, UT 84054
Tel: 801/519-0500 • Email: sales@axtontech.com • Website: axtontech.com

