

HYBRID 25H & 25HE

IR Illuminator & White Light Hybrid



Infrared Combined with White Light

HYBRID Illuminators combine powerful IR illumination and event triggered white light into one compact solution.

Event Triggered Functionality via I/O Ports

The Hybrid 25H connects to a camera, motion detector, alarm or any other device via I/O ports, triggering the illuminator to switch from infrared to visible white light upon an event occurrence.

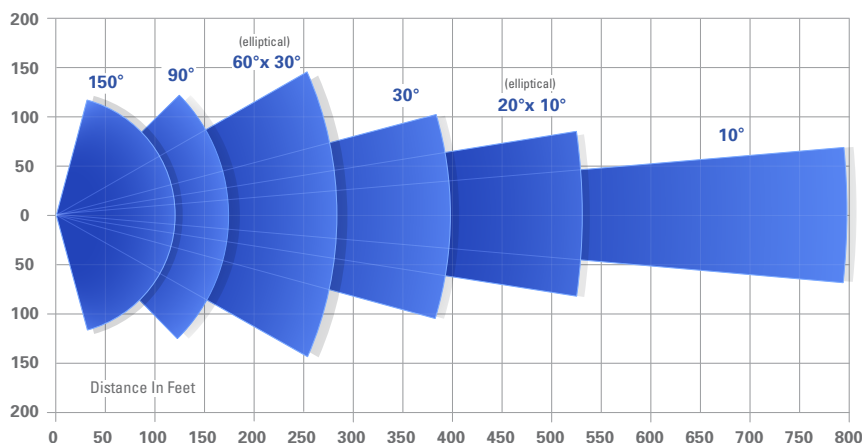
Low Voltage or PoE+ Powered Options

Choose the 25H with a 24-36 VDC or (24 VAC) input voltage or, the PoE+ powered 25HE.

FEATURES

- Infrared & White Light in one Unit
- Low Voltage or PoE+ Powered Option
- White Light: 5,250 Lumens
- Energy Efficient - 25 Watts
- Advanced LED Technology
- I/O Port Sync with Sensors, Devices
- Outdoor IP67 Rated
- Lifetime Warranty, Made in the USA

RANGE



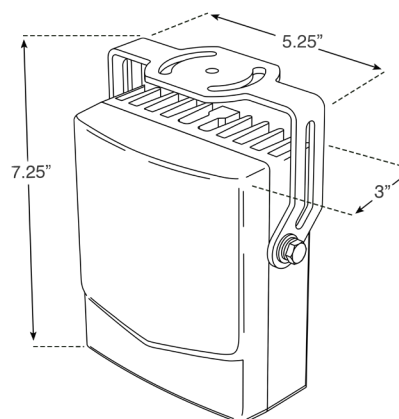
Angle: 150° Range: 120ft/36m HFOV : 232ft/70m	Angle: 90° Range: 175ft/53m HFOV : 225ft/68m	Angle: 60° x 30° Range: 285ft/86m HFOV : 285ft/86m	Angle: 30° Range: 400ft/122m HFOV : 207ft/63m	Angle: 20° x 10° Range: 530ft/161m HFOV : 166ft/50m	Angle: 10° Range: 800ft/243m HFOV : 140ft/42m
--	---	---	--	--	--

NOTE: Above Ranges are for IR light the White Light Range will be increased by 20%.

SPECIFICATIONS

White Light	Lumens: 5,250/ Temp: 5000K
Wavelength IR	850nm Infrared
25H - Input Voltage	24-36VDC or 24VAC
25HE - Input Voltage*	PoE+ (or PoE++)
Angle/Range Options:	120°, 90°, 60°x30°,30°,20°x10° or 10°
Power Consumption	25 Watts
Operating Temp.	-58° to 140°F / -50° to 60°C
Dimensions	5.25" x 3" x 7.25"/ 33 x 76 x 184mm
Weight	3 lbs /1.3kg
Environmental	Outdoor IP67 Rated
Mounting	Pan/Tilt U Bracket Included

* 25HE PoE+ (24 VDC auxiliary available)



801 Robinson Drive, Suite #500, North Salt Lake, UT 84054
Tel: 801/519-0500 • Email: sales@axtontech.com • Website: axtontech.com

