

HYBRID 56H & 56HE

IR Illuminator & White Light Hybrid



Infrared Combined with White Light

HYBRID Illuminators combine powerful IR illumination and event triggered white light into one compact solution.

Event Triggered Functionality via I/O Ports

The Hybrid 56H connects to a camera, motion detector, alarm or any other device via I/O ports, triggering the illuminator to switch from infrared to visible white light upon an event occurrence.

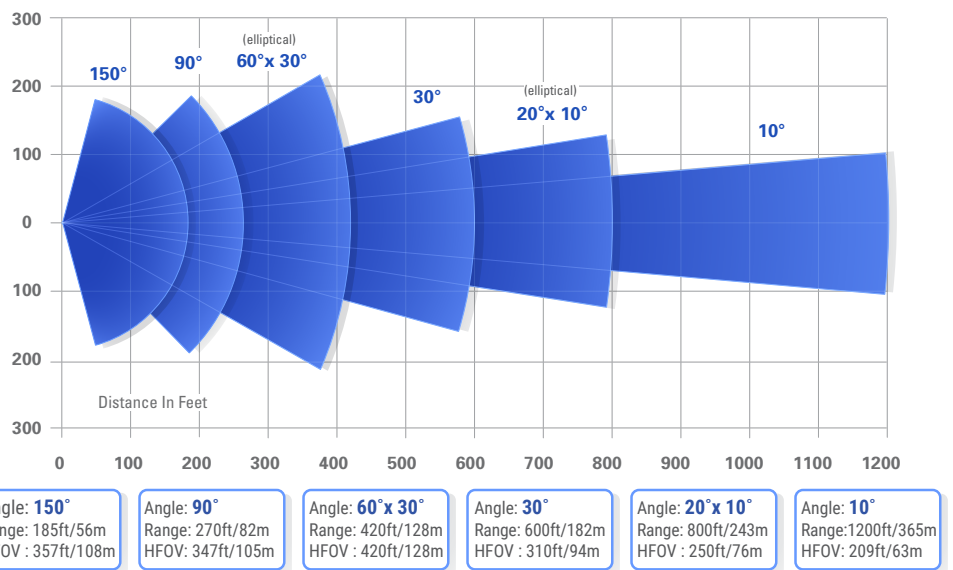
Lifetime Warranty - Made in the USA

Covered by a lifetime warranty with advanced replacement. All Axton lights are designed and manufactured in the USA.

FEATURES

- Infrared & White Light in one Unit
- White Light: 11,875 Lumens
- Low Voltage or PoE++ Powered Option
- Energy Efficient - 56 Watts
- Advanced LED Technology
- I/O Port Sync with Sensors, Devices
- Outdoor IP67 Rated
- Lifetime Warranty, Made in the USA

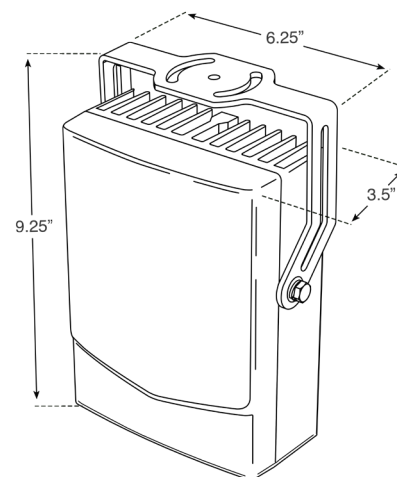
RANGE



SPECIFICATIONS

White Light	Lumens: 11,875/ Temp: 5000K
IR Wavelength	850nm Infrared
56H - Input Voltage	24 to 36 VDC or 24 VAC
56HE - Input Voltage*	PoE++
Angle/Range Options:	150°, 90°, 60°x30°, 30°, 20°x10° or 10°
Power Consumption	56 Watts
Operating Temp.	-58° to 140°F / -50° to 60°C
Dimensions	6.25" x 3.5" x 9.25"/ 159 x 89 x 235mm
Weight	5.5 lbs / 2.5kg
Environmental	Outdoor IP67 Rated
Mounting	Pan/Tilt U Bracket Included

* 56HE PoE++ (36 VDC auxiliary available)



801 Robnson Drive, Suite #500, North Salt Lake, UT 84054
Tel: 801/519-0500 • Email: sales@axtontech.com • Website: axtontech.com

