

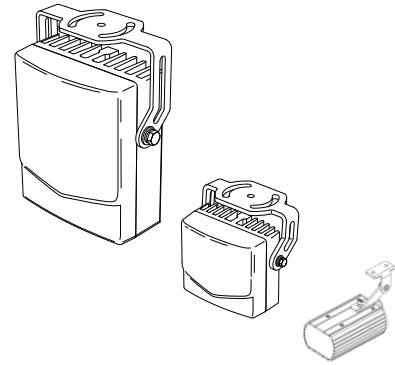
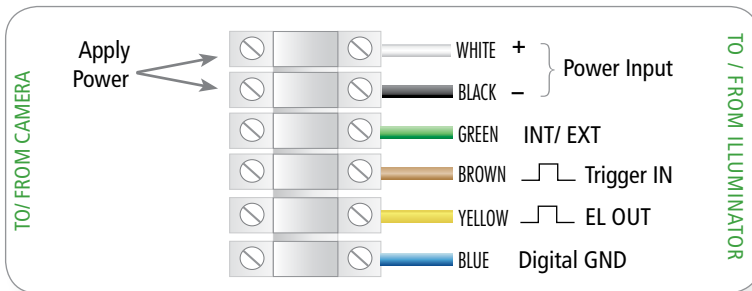
Quick Setup Guide PULSAR

AT-20R | AT-50R | AT-100R | AT-200R

WIRING OPTIONS

OPTION 1 Automatic

Illuminator will trigger ON/OFF using the built in Internal Pulse Generator which has been pre-set to generate 2ms long pulses at a 50HZ repetition rate.



Make all electrical connections BEFORE applying power.

Voltage Input Configurations

1. 24 to 36 VDC

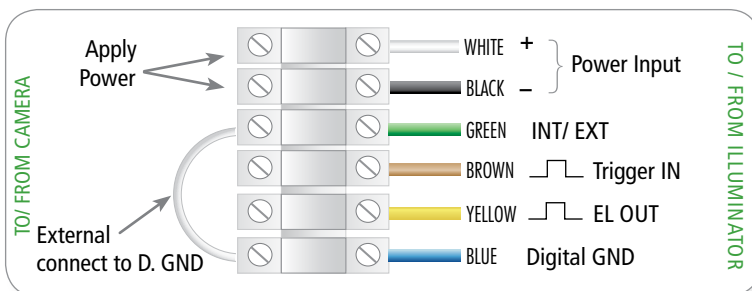
Polarity Sensitive

Applying voltage other than the required range may cause permanent damage and VOID WARRANTY.

WARNING! Infrared light is not visible. Do not view directly with optical instruments (magnifiers) or stare directly into the illuminator at a close distance.

Do not attempt to open or modify the light as this will void the warranty.
If you need a modification, electric or physical, contact us directly. We will let you know if it can be done. All changes MUST be made at our factory.

OPTION 2 External Controller (e.g. Camera)



You will need to log into the appropriate software interface and program the I/O ports to trigger when flash is desired.

To switch illuminator ON, your camera output port(s) have to be ACTIVE and set to HIGH. You may associate this action with various events (IR cut filter, motion detection, etc.) available on your camera or external device.

Apply power to White (+) and Black (-). Apply positive trigger pulse to the Brown (+) and Blue (-) wire to run the illuminator. EL OUTPUT (yellow) and optical pulses are the same duration as trigger IN pulse.

QUESTIONS ? (801) 519-0500 or support@axtontech.com | axtontech.com