

HELIOS 25YW

Battery, Solar Power White LED Floodlight



Helios Off-Grid LED Security Floodlights

Helios series lights are engineered for Off-Grid Battery, Solar Powered Security Systems. Helios lights are Outdoor IP67 Rated, weatherproof and vandal resistant.

Easy Integration and Control

Helios lights have a built-in Day/Night light sensor to turn the light ON/OFF automatically. For more precise control, the I/O ports connect to a camera, motion sensor or other I/O port equipped device to turn the light ON/OFF based on preset conditions.

Lifetime Warranty - Made in the USA

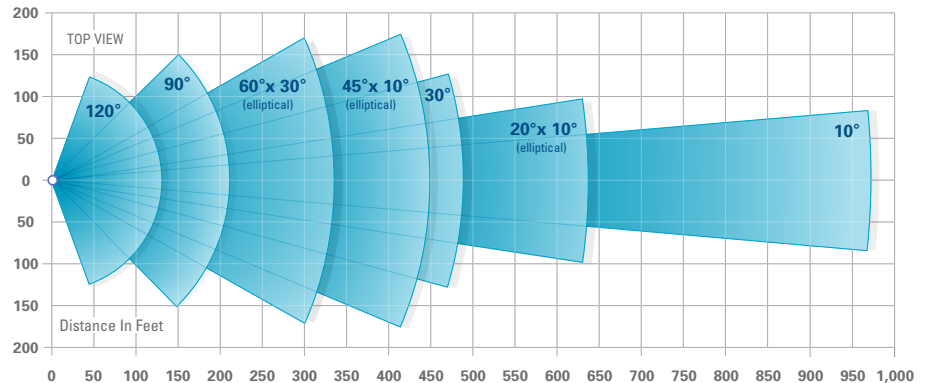
AXTON Lighting is designed and Manufactured in the USA and backed by a lifetime warranty.

FEATURES

- Advanced Technology Energy Efficient LEDs
- White Light - 5,250 lumens, 5000K
- Outdoor IP67 Rated - Weatherproof
- I/O Port Sync with Sensors, Devices
- Automatic Day/Night Sensor
- Rugged and Vandal Resistant
- Designed for Off-Grid Security
- Lifetime Warranty, Made in the USA

RANGE

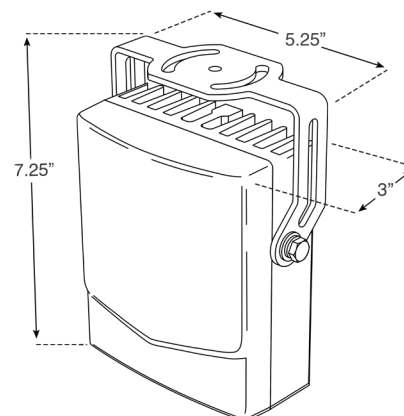
Beam Angle Options



Angle: 120° Range: 145ft HFOV: 251ft	Angle: 90° Range: 211ft HFOV: 272ft	Angle: 60°x30° Range: 344ft HFOV: 344ft	Angle: 45°x10° Range: 450ft HFOV: 346ft	Angle: 30° Range: 484ft HFOV: 250ft	Angle: 20°x10° Range: 641ft HFOV: 200ft	Angle: 10° Range: 968ft HFOV: 169ft
--	---	---	---	---	---	---

SPECIFICATIONS

White Light	Lumens: 5,250 Lm/ Temp: 5000K
Input Voltage	9 to 28 VDC
Angle Options:	120°, 90°(60°x30°) (45°x10°) 30°(20°x10°) or 10°
Power Consumption	25 Watts
Operating Temp.	-58° to 140°F / -50° to 60°C
Dimensions	5.25" x 3" x 7.25"/ 33 x 76 x 184mm
Weight	3 lbs /1.3kg
Environmental	Outdoor IP67 Rated
Mounting	Pan/Tilt U Bracket Included



801 Robinson Drive, Suite #500, North Salt Lake, UT 84054
Tel: 801/519-0500 • Email: sales@axtontech.com • Website: axtontech.com

