

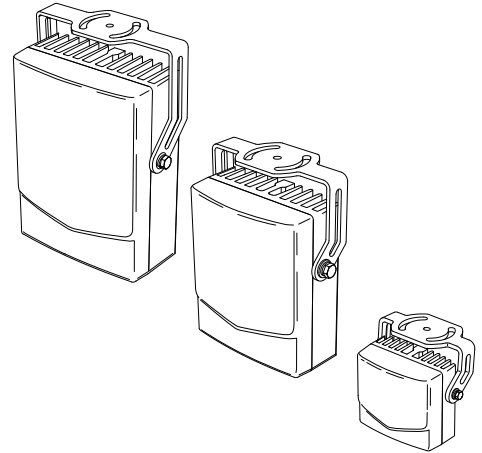
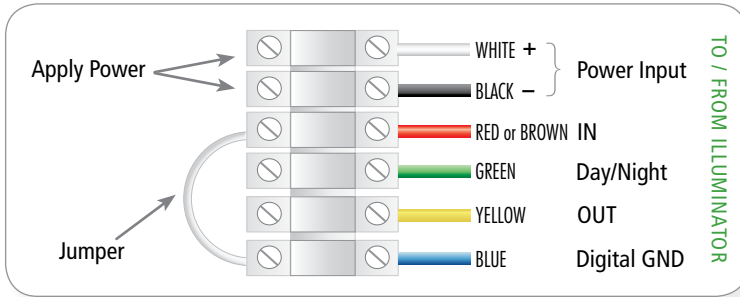
# Quick Setup Guide Off-Grid

HELIOS 11Y(W), 25Y(W), 56Y(W) | Tactical 11TY, 25TY, 56TY

## WIRING OPTIONS

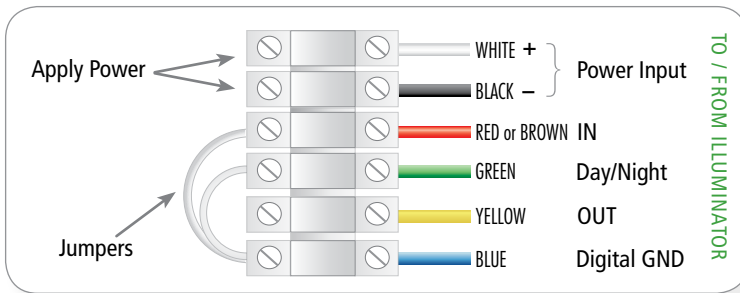
### OPTION 1 Constant ON

AXTON Illuminators have been designed and tested to run 24/7 continuously both indoors and outdoors.



### OPTION 2 Automatic

Illuminator will trigger ON/OFF using the built in ambient light sensor which has been pre-set to a threshold of 5-15 lux. ON will trigger immediately while OFF will trigger after a 12-18 second delay.



 **Make all electrical connections BEFORE applying power.**

### Voltage Input

**9 to 28 VDC**

### Polarity Sensitive

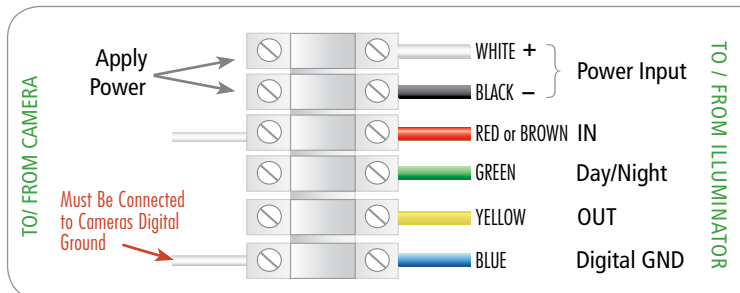
Applying voltage other than the required range may cause permanent damage and VOID WARRANTY.



**WARNING!** Infrared light is not visible. Do not view directly with optical instruments (magnifiers) or stare directly into the illuminator at close distance.

### OPTION 3 External Controller (e.g. Camera)

You will need to log into the camera via the computer and program the I/O ports to trigger when IR illumination is desired.



**Do not attempt to open or modify the light as this will void the warranty.** If you need a modification, electric or physical, contact us directly. We will let you know if it can be done. All changes **MUST** be made at our factory.

To switch illuminator ON, your camera output port(s) have to be ACTIVE and set to LOW (GND-ground).

You may associate this action with various events (IR cut filter, motion detection, etc.) available on your camera or external device.

 **QUESTIONS ? (801) 519-0500 or support@axtontech.com | axtontech.com**